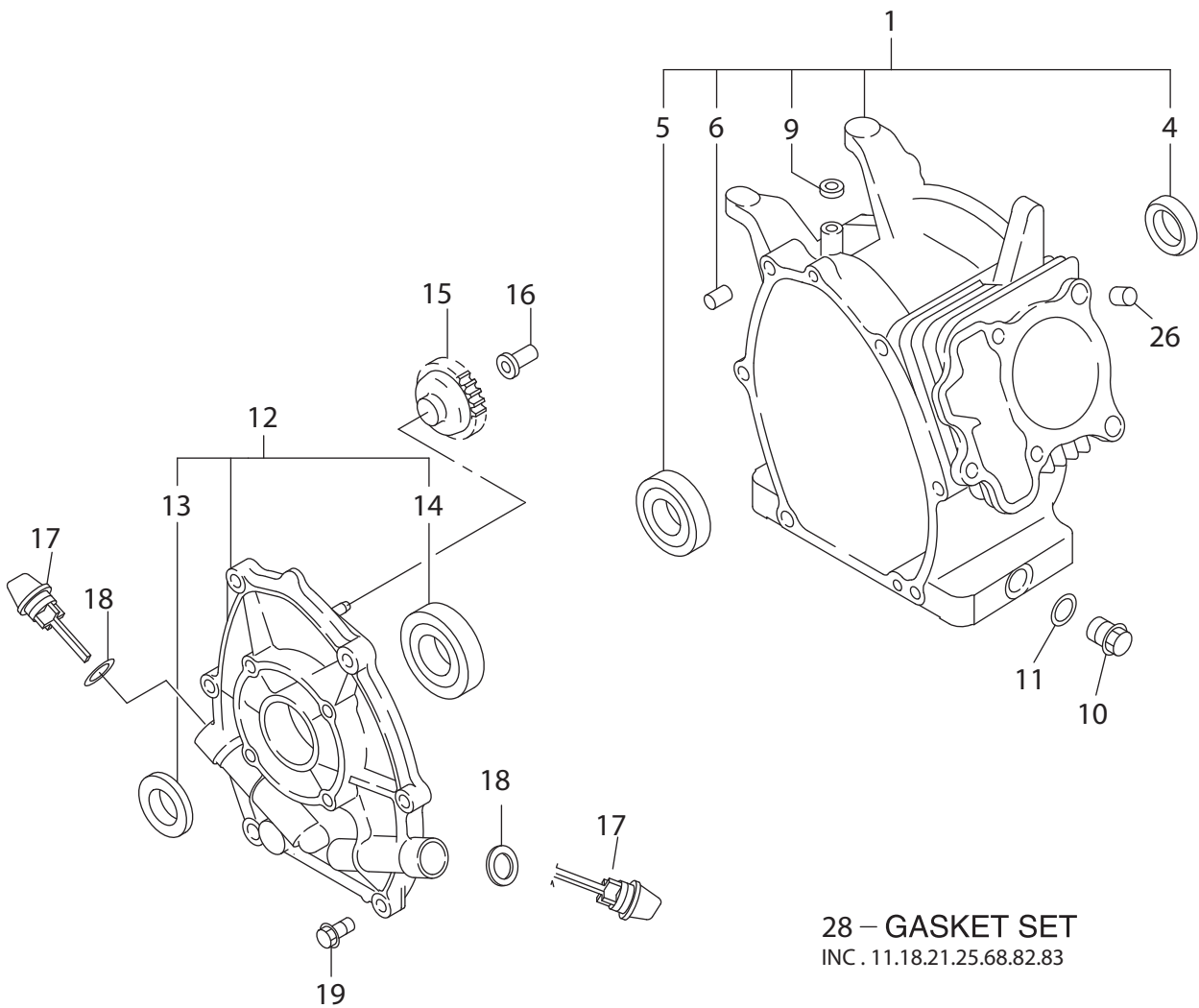
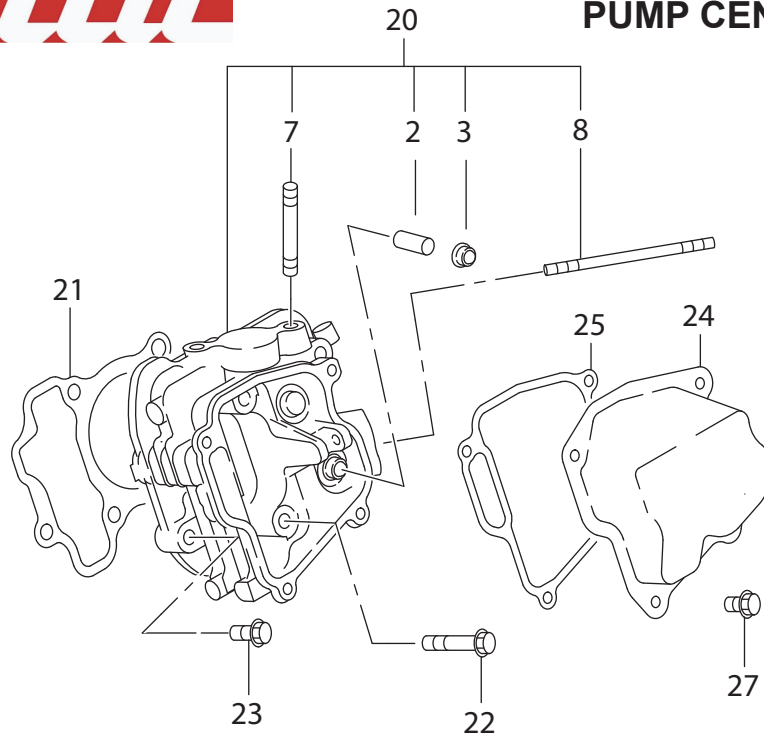
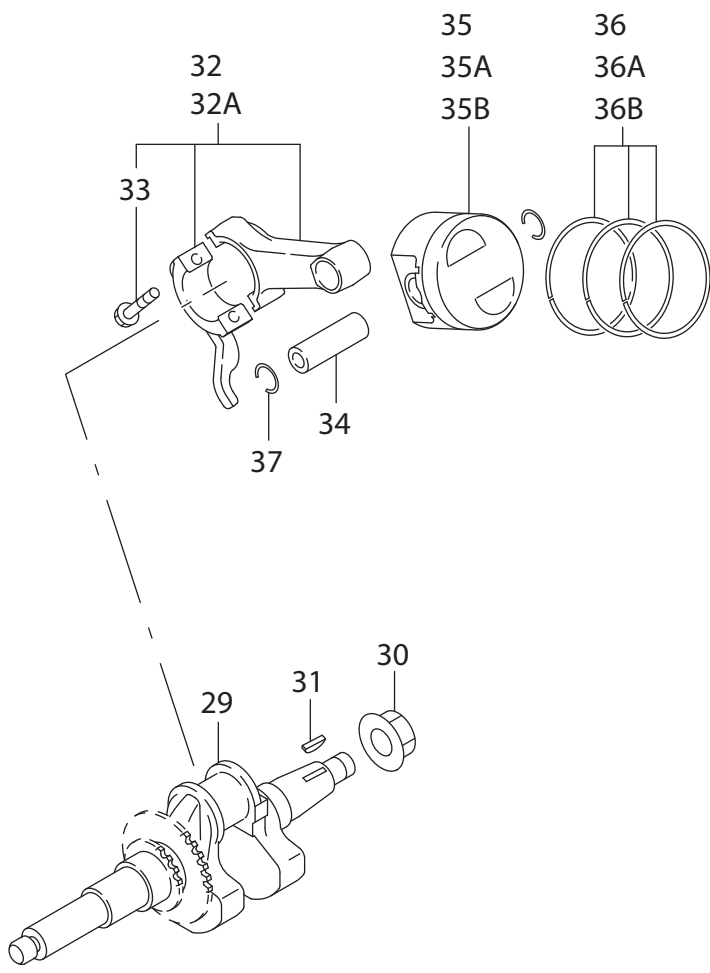
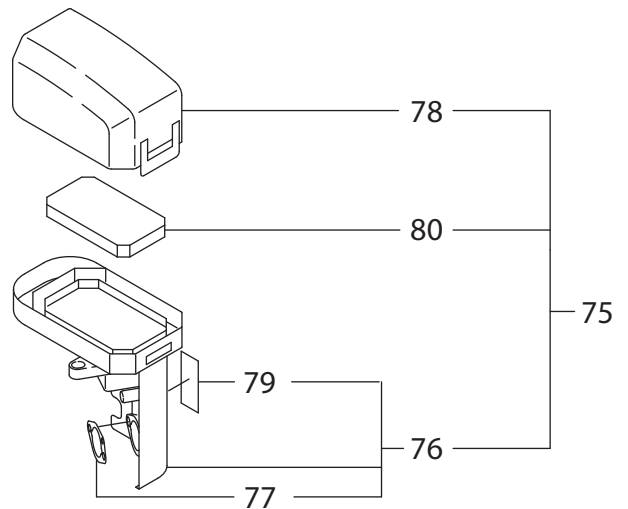
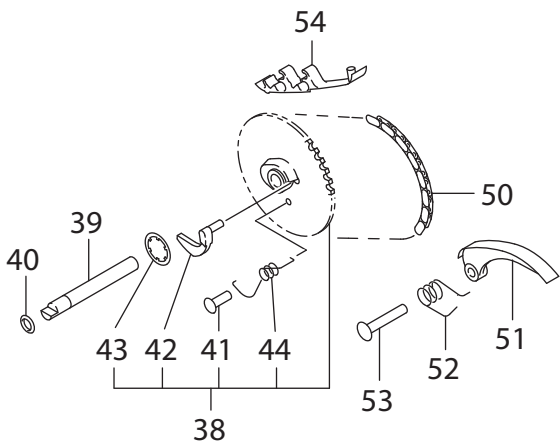
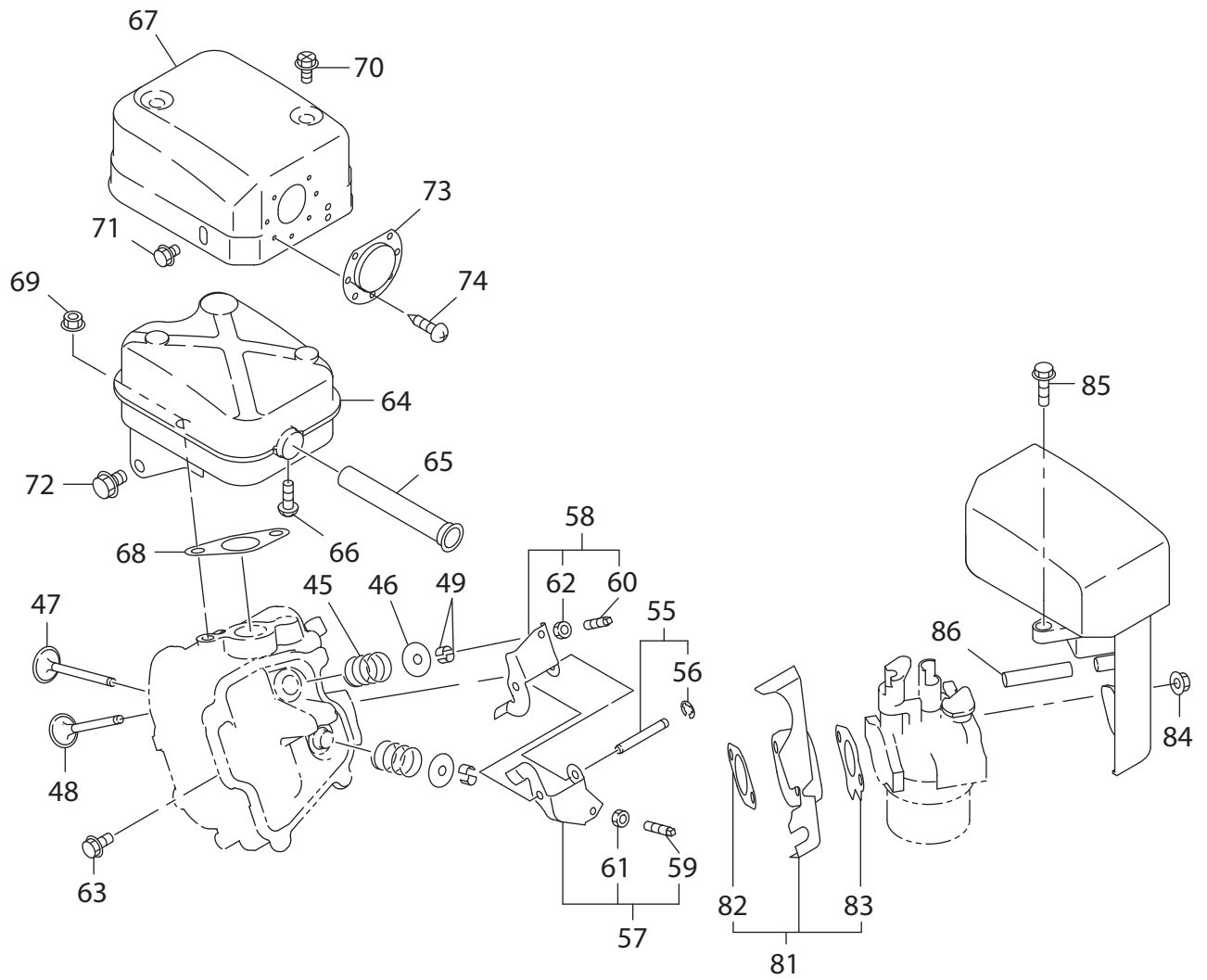


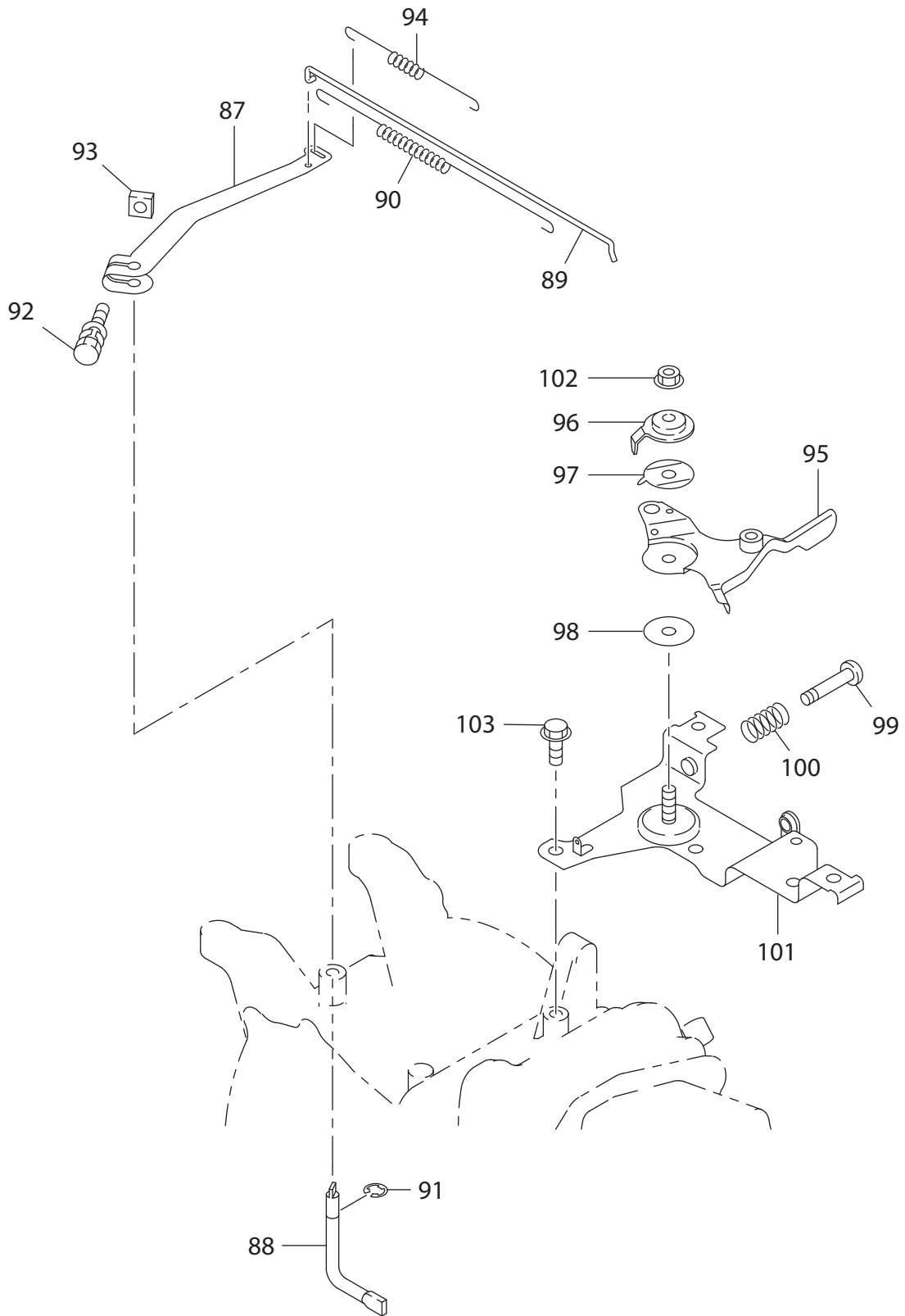
PUMP CENTRIFUGAL 2''

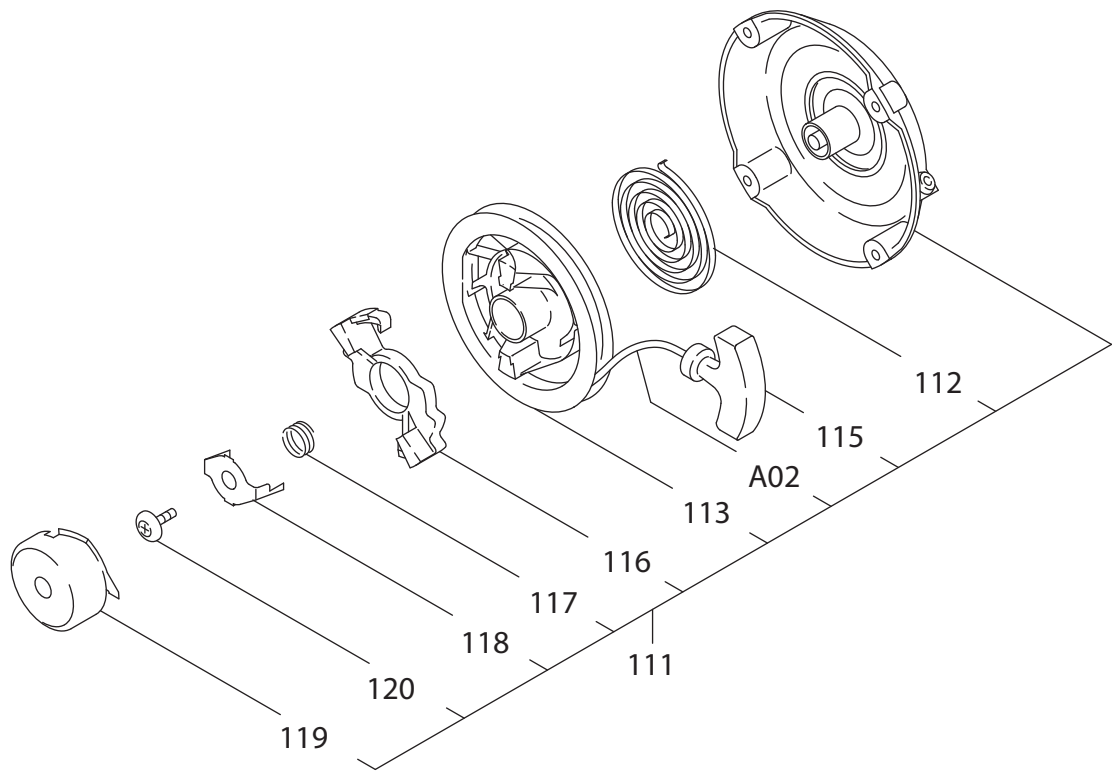
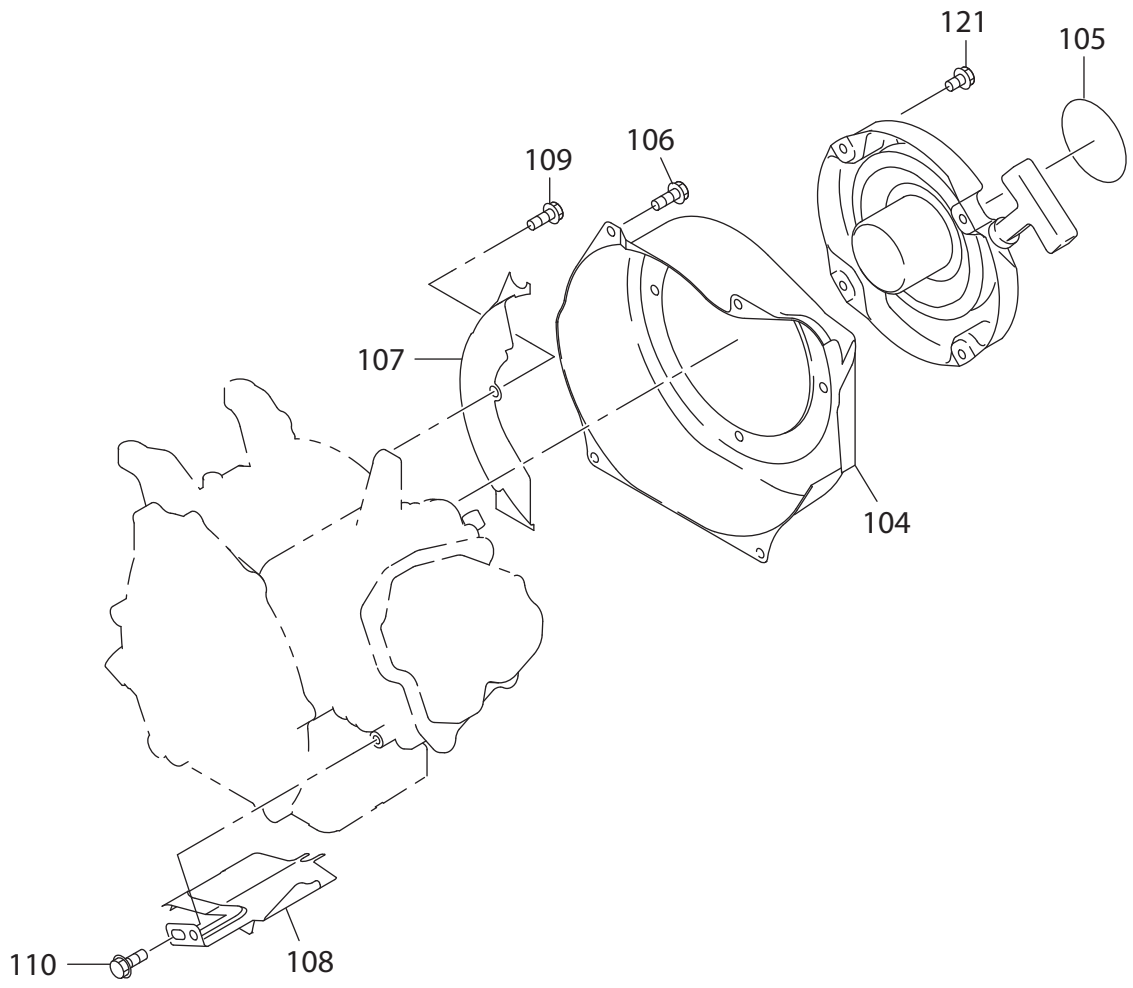


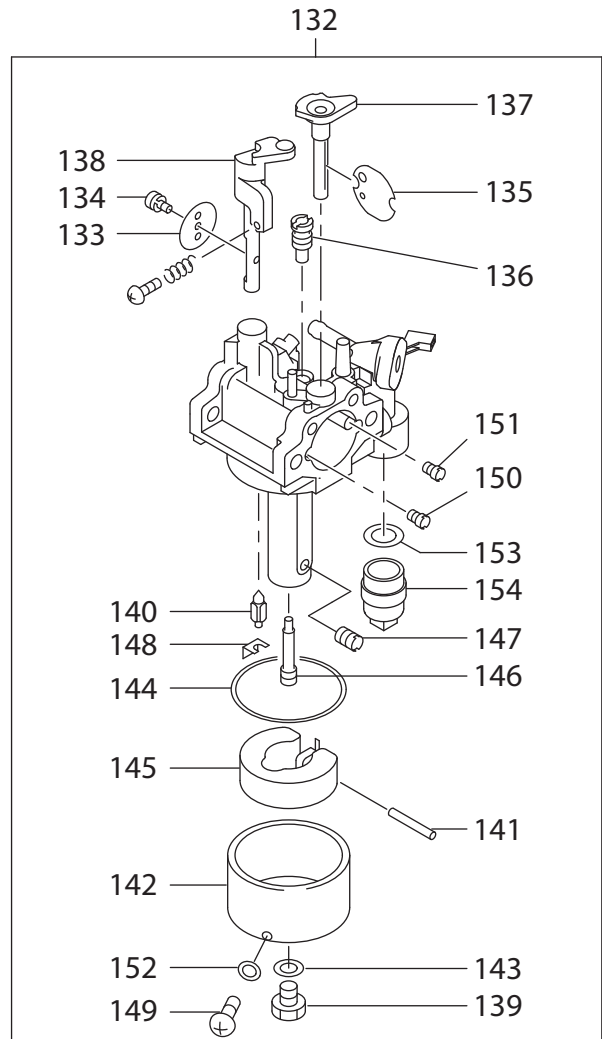
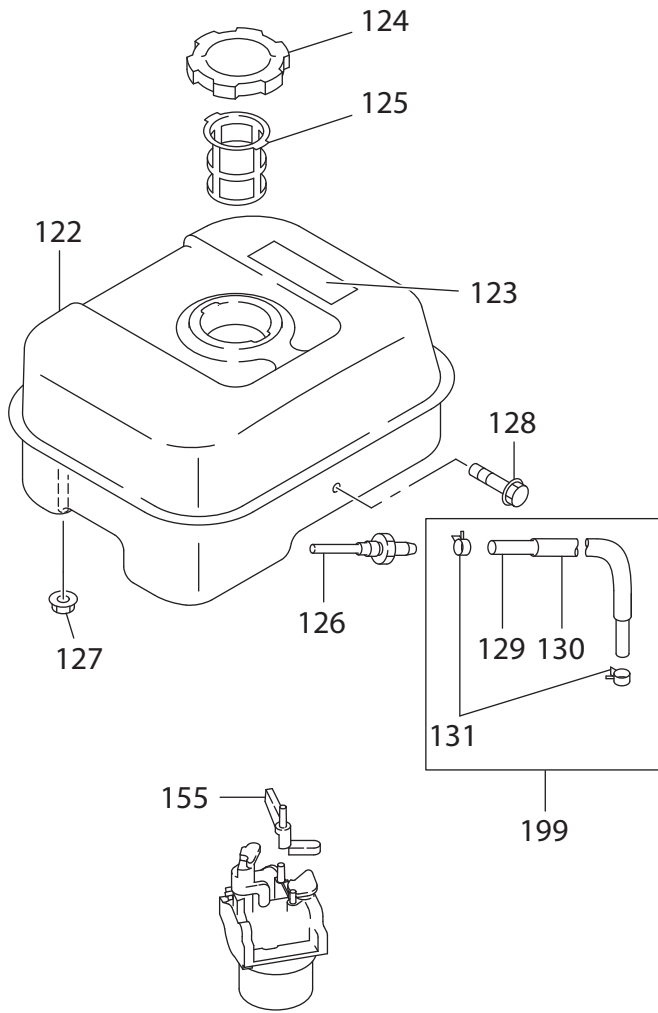
28 - GASKET SET  
INC. 11.18.21.25.68.82.83

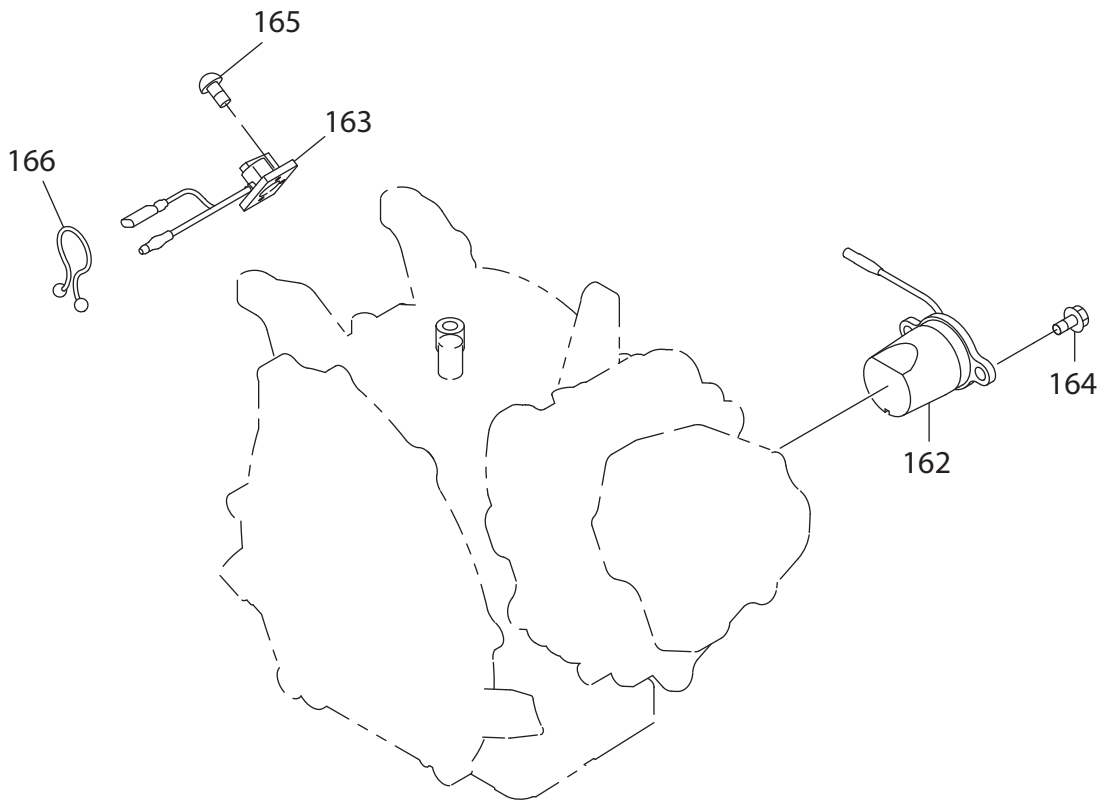
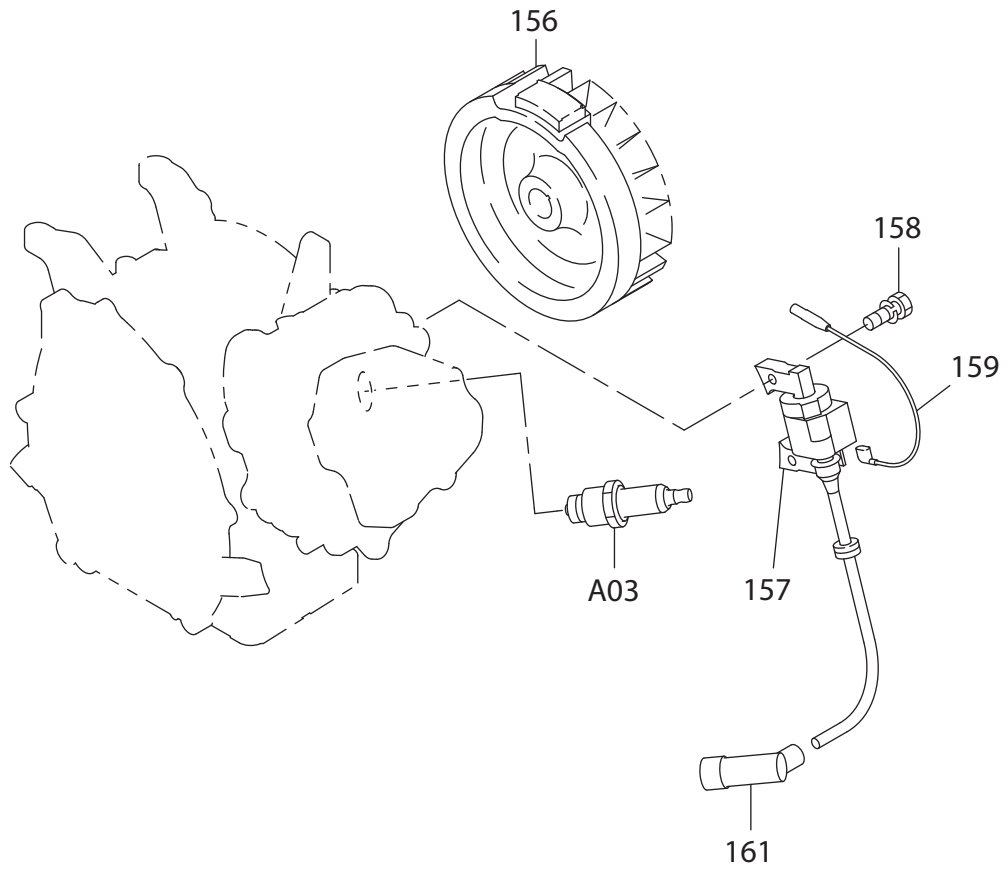


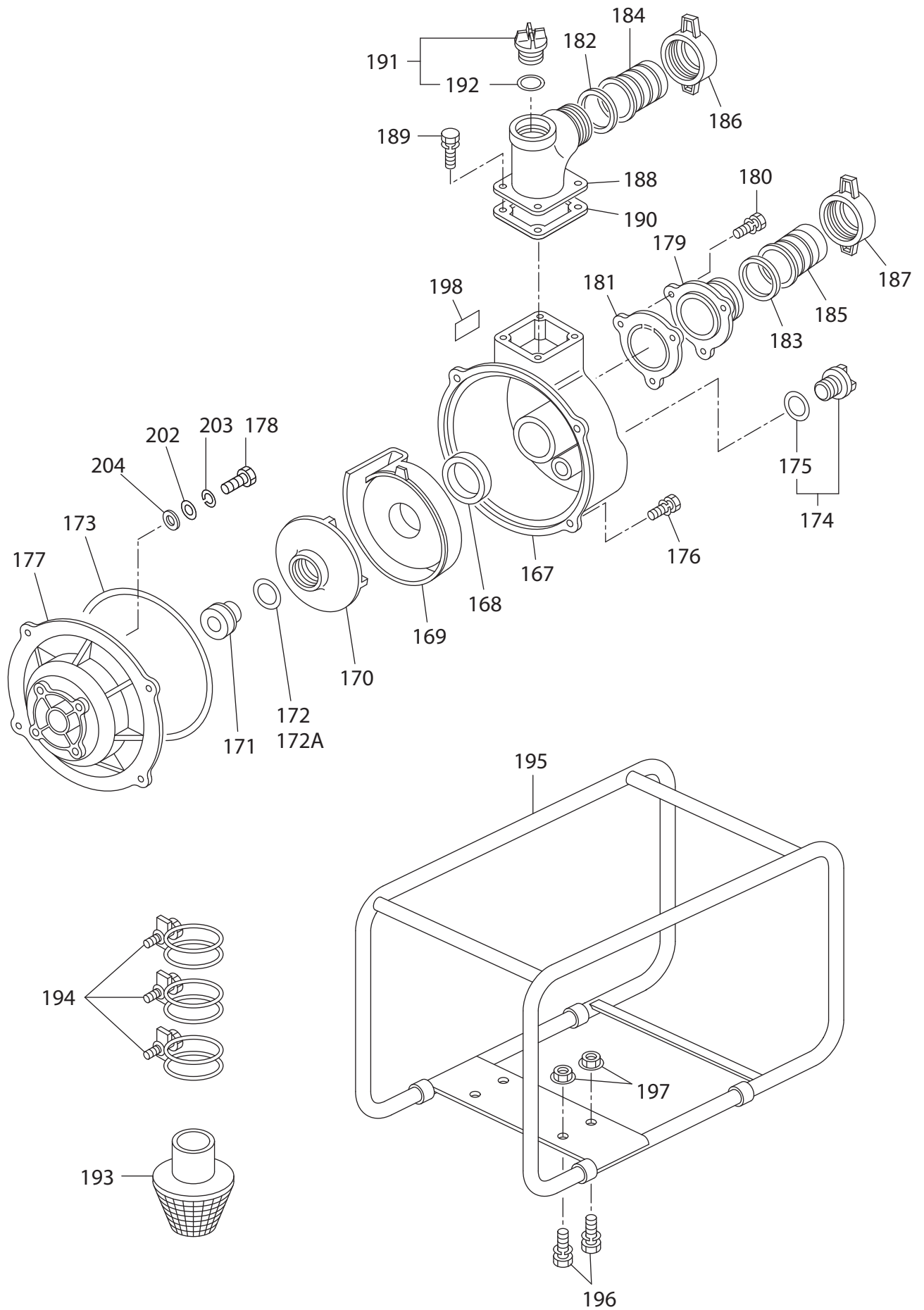


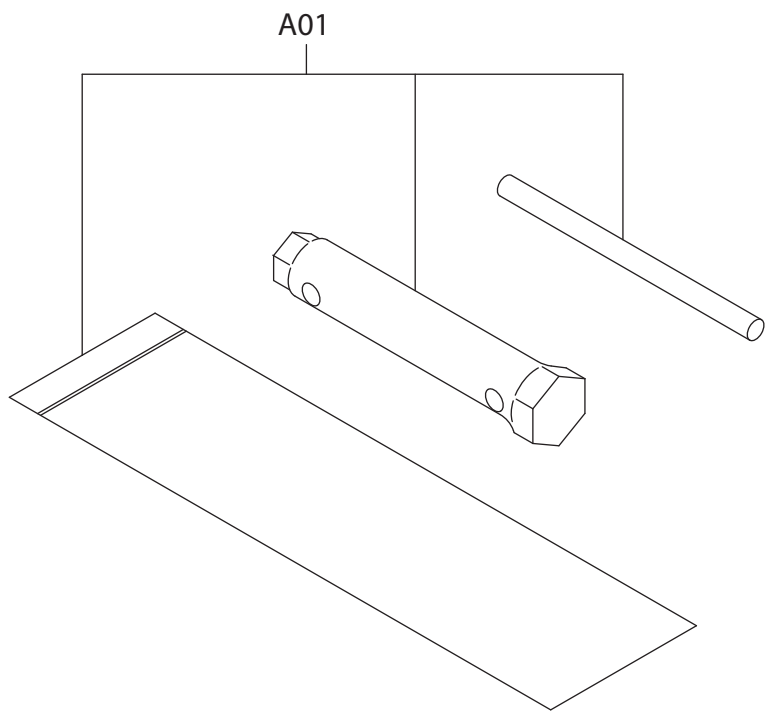












Item No	Type	Ref	Part No	SC Description	Qty	Unit
1	1		276-10102-41	CRANK CASE CP	1	PC.
		INC.		Item No. 4-6,9		
2			237-14202-03	VALVE GUIDE	2	PC.
3			277-16010-01	STEM SEAL	1	PC.
4			044-02502-00	OIL SEAL 25DX38DX7B	1	PC.
5			060-02800-21	BALL BEARING 62/28 28DX58DX16B	1	PC.
6			277-15011-03	PIPE KNOCK 10.3DX8.5DX14L	2	PC.
7			010-50802-50	STUD	2	PC.
8			010-50603-51	STUD M6X1.0X98L	2	PC.
9			044-00600-20	OIL SEAL 6DX10DX2.5B	1	PC.
10			040-11400-30	PLUG	2	PC.
11			021-11400-20	GASKET	2	PC.
12	1		277-11001-31	MAIN BEARING COVER COM - N/L/A	1	PC.
12	2		277-11001-41	MAIN BEARING COVER COM	1	PC.
		INC.		Item No. 13,14		
13			044-02502-10	OIL SEAL 25DX41.25DX6B	1	PC.
14			X60-02501-40	BALL BEARING 6205 (OLD# 060-02501-40 - N/L/A)	1	PC.
15	2		277-45004-J1	GOVERNOR GEAR COM. (OLD# 277-45004-H1 - N/L/A)	1	PC.
	3		277-45004-K1	GOVERNOR GEAR COM.	1	PC.
16	1		277-41901-03	GOVERNOR SLEEVE - N/L/A	1	PC.
	2		277-41902-01	GOVERNOR SLEEVE COM	1	PC.
17	1		277-63601-13	OIL GAUGE M18X1.5 L=70+18	2	PC.
	2		277-63601-23	OIL GAUGE	2	PC.
	3		277-63601-30	OIL GAUGE	2	PC.
18	1		021-31600-20	GASKET 16DX23X1.2T	2	PC.
	2		X21-31600-20	GASKET 16DX23X1.2T	2	PC.
	3		277-63601-08	GASKET	2	PC.
19			001-04083-50	FLANGE BOLT	6	PC.
20			276-13001-11	CYLINDER HEAD CP	1	PC.
		INC.		Item No. 2,3,7,8		
21			276-15001-33	GASKET (HEAD)	1	PC.
22			011-00802-40	FLANGE BOLT M8X1.25X16DX68L	4	PC.
23			011-00803-10	FLANGE BOLT M8X33L	1	PC.
24	1		277-15501-01	LOCKER COVER CP	1	PC.
	2		277-15503-01	ROCKER COVER CP	1	PC.
25			277-16001-13	GASKET(ROCKER COVER)	1	PC.
26			277-15011-03	PIPE KNOCK 10.3DX8.5DX14L	2	PC.
27			011-00600-20	FLANGE BOLT M6X1.0X14DX12L	4	PC.
28	1		276-99001-07	GASKET SET	1	SET
		INC.		Item No. 11,18,21,25,68,82,83		
	2		276-99001-27	GASKET SET - N/L/A	1	SET
		INC.		Item No. 11,18,21,25,68,82,83		
	3		276-99001-37	GASKET SET	1	PC.
		INC.		Item No. 11,18,21,25,68,82,83		
29	1		276-20301-21	CRANK SHAFT CP - N/L/A	1	PC.
	2		276-20301-31	CRANK SHAFT CP	1	PC.
30			018-01400-20	FLANGE NUT M14X1.5X28DX12H	1	PC.
31			032-30300-10	WOODRUFF KEY	1	PC.
32			276-22501-10	CONNECTING ROD ASSY	1	PC.
		INC.		Item No. 33		
33			277-23001-03	CONNECTING ROD BOLT	2	PC.
34			276-23301-03	PISTON PIN	1	PC.
35			276-23401-H3	PISTON, STD	1	PC.

Item No	Type	Ref	Part No	SC Description	Qty	Unit
36	1		276-23511-17	PISTON RING SET, STD	1	PC.
	2		276-23511-27	PISTON RING SET, STD	1	PC.
37			215-25004-03	CLIP	2	PC.
38			277-31601-21	CAM SHAFT CP	1	PC.
		INC.		Item No. 41-44		
39	1		277-35101-03	PIN(CAM SHAFT)9DX78.5L	1	PC.
	2		277-35101-01	PIN(CAM SHAFT)CP	1	PC.
		INC.	277-35101-03	PIN(CAM SHAFT)9DX78.5L - N/L/A as individually	1	PC.
40			024-00600-10	O RING 5.8DX9.6D - N/L/A as individually	1	PC.
41			277-38601-03	PIN(SPRING) 4DX8DX9L	1	PC.
42	1		277-36401-03	RELEASE LEVER	1	PC.
	2		277-36401-13	RELEASE LEVER	1	PC.
43			277-36501-03	CLIP 13.8DX20.3DX0.4T	1	PC.
44			277-38702-03	RETURN SPRING	1	PC.
45			279-33601-03	VALVE SPING	2	PC.
46			269-33701-03	SPRING RETAINER	2	PC.
47			276-33401-H3	INTAKE VALVE	1	PC.
48			276-33501-H3	EXHAUST VALVE	1	PC.
49			132-10KA0-31	COLLET VALVE	4	PC.
50	1		276-35601-11	TIMING CHAIN CP - N/L/A	1	PC.
	2		276-35602-H1	TIMING CHAIN CP	1	PC.
51			277-36911-03	TENSIONER	1	PC.
52			277-37101-03	SPRING(TENSIONER)	1	PC.
53			277-36902-03	PIN(TENSIONER) 6DX13DX34L	1	PC.
54			277-36913-13	CHAIN GUIDE	1	PC.
55	2		277-35004-01	PIN(ROCKER) COM (OLD# 277-35002-01 - N/L/A)	1	PC.
		INC.		Item No. 56		
56			003-13050-00	CLIP	1	PC.
57			277-36201-00	LOCKER ARM(INTAKE) ASS'Y	1	PC.
		INC.		Item No. 59,61		
58			277-36202-00	ROCKER ARM(EXHAUST)ASS'Y	1	PC.
		INC.		Item No. 60,62		
59			014-90500-20	ADJUST SCREW M5X23	1	PC.
60			014-90500-20	ADJUST SCREW M5X23	1	PC.
61			017-00500-30	NUT M5	1	PC.
62			017-00500-30	NUT M5	1	PC.
63			011-00600-20	FLANGE BOLT M6X1.0X14DX12L	1	PC.
64			276-30111-H1	MUFFLER CP	1	PC.
65			277-37601-01	SPARK ARRESTOR CP	1	PC.
66			015-00400-60	TAPPING SCREW M4X6L	1	PC.
67	1		276-34201-01	MUFFLER COVER CP - N/L/A	1	PC.
	2		276-34201-21	MUFFLER COVER CP	1	PC.
68			277-35201-13	GASKET(MUFFLER)	1	PC.
69			980-20082-80	FLANGE NUT M8	2	PC.
70			015-20600-90	TAPPING BOLT	2	PC.
71			011-00600-10	FLANGE BOLT M6X1.0X14DX8L	1	PC.
72			011-00803-20	FLANGE BOLT	1	PC.
73			277-37203-H1	SCREEN CP	1	PC.
74			015-00400-60	TAPPING SCREW M4X6L	2	PC.
75			277-32611-00	AIR CLEANER ASSY	1	PC.
		INC.		Item No. 76,78,80		
76			277-32601-08	BASE CP	1	PC.
		INC.		Item No. 77,79		

Item No	Type	Ref	Part No	SC Description	Qty	Unit
77			277-32604-08	PACKING	1	PC.
78			277-32602-08	COVER CP	1	PC.
79			277-32609-08	LABEL	1	PC.
80			277-32603-08	ELEMENT	1	PC.
81			277-32902-J1	INSULATOR COMPLETE	1	PC.
		INC.		Item No. 82,83		
82			277-35903-J3	GASKET 2(INSULATOR)	1	PC.
83			277-35902-J3	GASKET 1(INSULATOR)	1	PC.
84			002-38060-00	FLANGE NUT M6	2	PC.
85			011-00600-50	FLANGE BOLT	1	PC.
86			085-10800-00	RUBBER PIPE (8DX11D)	1	PC.
87	1		277-42301-23	GOVERNOR LEVER - N/L/A	1	PC.
	2		277-42301-40	GOVERNOR LEVER	1	PC.
		INC.		Item No. 92, 93		
88			277-42201-33	GOVERNOR SHAFT	1	PC.
89	1		279-42701-11	GOVERNOR ROD CP	1	PC.
	2		279-42701-23	GOVERNOR ROD	1	PC.
90			277-42801-23	ROD SPRING 7DX.5DX182L N=16	1	PC.
91			003-13050-00	CLIP	1	PC.
92	1		013-00602-40	BOLT AND WASHER ASS'Y	1	PC.
	2		001-14062-50	BOLT AND WASHER ASS'Y	1	PC.
93			018-60600-20	NUT M6X1.0X4.9H	1	PC.
94	1		277-42510-13	GOVERNOR SPRING - N/L/A	1	PC.
	2		277-42510-23	GOVERNOR SPRING	1	PC.
95			277-43303-03	SPEED CONTROL LEVER	1	PC.
96			277-43502-03	STOP PLATE	1	PC.
97			277-44501-03	WASHER	1	PC.
98			021-70600-70	FRICITION WASHER	1	PC.
99			004-31062-50	SCREW	1	PC.
100			237-45004-23	SPRING(ADJUST)	1	PC.
101			277-46002-02	SPEED CONTROL BRACKET UNIT	1	PC.
102			002-35060-00	SELF LOCK NUT	1	PC.
103			011-00600-20	FLANGE BOLT M6X1.0X14DX12L	2	PC.
104			276-51205-01	BLOWER HOUSING CP	1	PC.
105			277-91703-03	LABEL(MAKITA)	1	PC.
106			011-00600-30	FLANGE BOLT M6X1.0X14DX14L	4	PC.
107	1		277-52711-11	BAFFLE 1(CASE) COM - N/L/A	1	PC.
	2		277-52711-21	BAFFLE 1 (CASE) COM	1	PC.
108			277-52702-03	BAFFLE 2(HEAD) COMPLETE	1	PC.
109			001-04061-60	FLANGE BOLT	1	PC.
110			011-00600-20	FLANGE BOLT M6X1.0X14DX12L	1	PC.
111	1		276-50301-00	RECOIL STARTER ASSY	1	PC.
		INC.		Item No. 112, 113, A02, 115-120		
	2		276-50301-10	RECOIL STARTER ASSY - N/A	1	PC.
		INC.		Item No. 112-120		
	3		276-50301-20	RECOIL STARTER ASSY	1	PC.
		INC.		Item No. 112-120		
112			226-50716-08	SPIRAL SPRING	1	PC.
113			277-50121-08	REEL	1	PC.
115	1		281-50300-08	STARTER KNOB - N/L/A	1	PC.
	2		281-50300-18	STARTER KNOB	1	PC.
116			281-50325-08	RATCHET	1	PC.
117			281-50330-08	FRICITION SPRING	1	PC.

Item No	Type	Ref	Part No	SC Description	Qty	Unit
118			281-50340-08	FRICITION PLATE	1	PC.
119			276-50145-08	STARTER PULLY	1	PC.
120			281-50351-08	CENTER SCREW	1	PC.
121	1		013-00602-80	BOLT AND WASHER ASSY	4	PC.
	2		013-00602-81	BOLT AND WASHER ASSY	4	PC.
122	2		276-60105-11	FUEL TANK COM (OLD# 276-60105-01 - N/L/A)	1	PC.
123			073-20051-81	LABEL(WARNING)	1	PC.
124			043-04400-50	FUEL TANK CAP COMPLETE	1	PC.
125			X64-13600-10	FUEL FILTER	1	PC.
126	2		X50-51200-20	UNION (OLD# 050-51200-20 - N/L/A)	1	PC.
127			002-38060-00	FLANGE NUT M6	2	PC.
128			011-00601-30	FLANGE BOLT	1	PC.
129			085-19600-00	RUBBER PIPE(6DX11D)(OLD#X85-10612-30 - N/L/A)	1	PC.
130			277-64501-J1	GLASS TUBE	1	PC.
131			056-11100-20	HOSE CLAMP 11D (OLD# X56-11100-20 - N/L/A)	2	PC.
132	1		276-62301-20	CARBURETOR ASSY	1	PC.
		INC.		Item No. 133-154		
	2		276-62301-30	CARBURETOR ASSY	1	PC.
		INC.		Item No. 133-154		
	3		276-62301-50	* CARBURETOR ASSY	1	PC.
		INC.		* Item No. 133-154		
133			106-62538-08	THROTTLE VALVE	1	PC.
134			209-62351-08	SCREW ASS'Y	1	PC.
135			277-62525-08	CHOKE VALVE	1	PC.
136			246-62420-08	PILOT JET (#40)	1	PC.
137			277-62520-08	CHOKE LEVER	1	PC.
138			276-62530-18	THROTTLE SHAFT A	1	PC.
139			227-62451-08	BOLT	1	PC.
140			277-62500-08	NEEDLE	1	PC.
141			277-62515-08	PIN	1	PC.
142			277-62506-08	FLOAT BODY	1	PC.
143			214-62450-08	PACKING	1	PC.
144			214-62540-08	FLOAT CHAMBER PACKING	1	PC.
145			226-62506-08	FLOAT ASS'Y	1	PC.
146			276-62440-08	MAIN NOZZLE	1	PC.
147			277-62404-18	MAIN JET	1	PC.
148			226-62701-18	CLIP	1	PC.
149			277-62360-08	BOLT	1	PC.
150			207-62410-08	AIR JET	1	PC.
151			106-62410-08	AIR JET(PILOT)	1	PC.
152			236-62541-08	PACKING	1	PC.
153			277-62110-18	PACKING (OLD# 277-62110-08)	1	PC.
154			277-62100-18	CUP (OLD# 277-62100-08)	1	PC.
155			277-43801-01	CHOKE LEVER CP	1	PC.
156			276-79230-11	FLYWHEEL CP	1	PC.
157	1		277-79431-01	IGNITION COIL COMPLETE	1	PC.
	2		277-79431-11	IGNITION COIL COMPLETE	1	PC.
158			001-14062-50	BOLT & WASHER ASS'Y	2	PC.
159			277-73101-H1	WIRE 1 CP	1	PC.
161			065-50002-70	SPARK PLUG CAP	1	PC.
162	2		277-76301-21	OIL SENSOR CP (OLD# 277-76301-11 - N/L/A)	1	PC.
163			KU3-11071-01	FLOAT C/U CP5	1	PC.
164			001-14061-60	BOLT & WASHER ASS'Y	2	PC.

Item No	Type	Ref	Part No	SC Description	Qty	Unit
165			015-00400-90	TAPPING SCREW 4X12	2	PC.
166			056-90000-20	PURSE LOCK ASS'Y	1	PC.
167			480-05010-01	CASING	1	PC.
168			480-05010-12	INNER CASING PACKING	1	PC.
169			480-05010-11	INNER CASING	1	PC.
170			480-05010-09	IMPELLER	1	PC.
171			480-05010-10	MECHANICAL SEAL	1	PC.
172			480-05010-42	SHIM (18X14X0.3)	1	PC.
172A			480-05010-43	SHIM (18X14X0.6)	1	PC.
173			480-05010-02	CASING PACKING	1	PC.
174			480-05010-21	PLUG	1	PC.
		INC.		Item No. 175		
175			480-05010-22	O RING	1	PC.
176			480-05310-03	BOLT & WASHER ASSY	1	PC.
177			480-05010-04	CASING COVER	1	PC.
178			480-05010-05	BOLT M8X48	4	PC.
179			481-00000-01	SUCTION FLANGE	1	PC.
180			480-05010-14	BOLT AND WASHER ASS'Y (M8X25)	3	PC.
181			480-05010-15	CHECK VALVE	1	PC.
182			480-05010-17	NIPPLE PACKING	1	PC.
183			480-05010-17	NIPPLE PACKING	1	PC.
184			481-00001-14	HOSE COUPLING(ABS)	1	PC.
185			481-00001-14	HOSE COUPLING(ABS)	1	PC.
186			481-00001-60	COUPLING HANDLE (ABS)	1	PC.
187			481-00001-60	COUPLING HANDLE (ABS)	1	PC.
188			481-00000-03	DELIVERY FLANGE	1	PC.
189			480-05010-14	BOLT AND WASHER ASS'Y (M8X25)	4	PC.
190			480-05010-20	DELIVERY FLANGE PACKING	1	PC.
191			480-05010-21	PLUG	1	PC.
		INC.		Item No. 192		
192			480-05010-22	O RING	1	PC.
193			480-05050-29	STRAINER	1	PC.
194			480-05010-28	HOSE BAND	3	PC.
195			481-00001-59	FRAME (BLACK)	1	PC.
196			480-05010-23	BOLT AND WASHER ASS'Y (M8X40)	4	PC.
197			480-05010-24	FLANGE NUT (M8)	4	PC.
198			484-00021-03	LABEL(PUMP NAME)	1	PC.
199			276-62605-K1	FUEL PIPE CP	1	PC.
		INC.		Item No. 129-131		
202			480-05010-07	WASHER	4	PC.
203			480-05010-08	SPRING WASHER	4	PC.
204			480-05010-06	SEAL PACKING	4	PC.
032A			276-22502-00	CONNECTING ROD ASSY (0.25 UNDER SIZE)	1	PC.
		INC.		Item No. 33		
035A			276-23403-H3	PISTON, 0.25 O.S	1	PC.
035B			276-23404-H3	PISTON, 0.50 O.S	1	PC.
036A			276-23512-17	PISTON RING SET, 0.25 O.S	1	PC.
036B			276-23513-17	PISTON RING SET, 0.50 O.S	1	PC.

Item No	Type	Ref	Part No	SC Description	Qty	Unit
<b>ACCESSORIES</b>						
- See catalogue or visit <a href="http://www.makita.ca">www.makita.ca</a> for more optional accessories -						
A01	1		277-90301-H0	ACCESSORY TOOL KIT	1	PC.
	2		277-90301-J0	ACCESSORY TOOL KIT	1	PC.
A02			277-50110-08	STARTER ROPE	1	PC.
A03			065-01402-10	SPARK PLUG	1	PC.
A04			110004-D	WHEEL KIT (See 110004-D Parts Breakdown)	1	PC.
A05			123042-A	PVS SUCTION HOSE 2"X20'	1	PC.
A06			123045-A	PVS DISCHARGE HOSE 2X50'	1	PC.

**SERVICE CHANGES**

**1. Changes on Carburetor Assy**

Item No.	Description	Type 1	Type 2	Type 3
132	Carburetor Assy	276-62301-20	276-62301-30	276-62301-50

The components other than drawn below remain the same.

